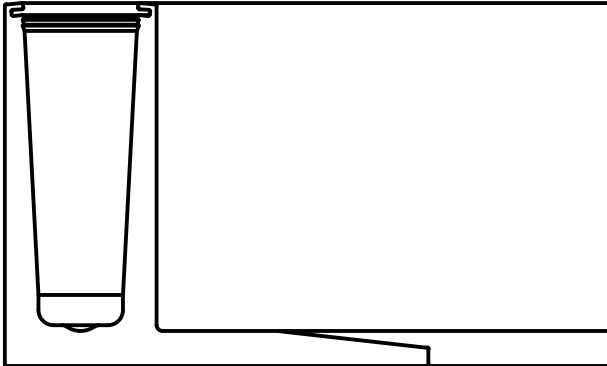
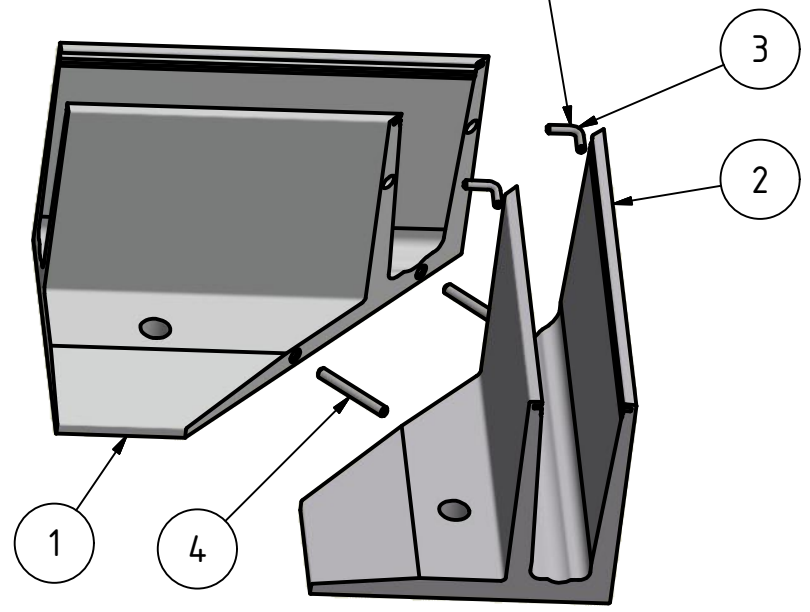


ITEM	QTY	PART NUMBER
1	1	99001300010
2	1	99001309010
3	2	99006600031
4	2	99006500031

pins mounted  
with loctite 638



Material: Aluminum 6063-T6  
Surface: raw untreated

Designed by Robin	Created	Modified	Comment		
		Description Outside corner 90° TL-3010 aluminum mill finish			
		Article number 10301035010		Size A4	Scale 1:2.5