



Sliding Door Fittings

**banana slide** 

- | Pre-assembled
- | Simple, intuitive installation
- | For wall or ceiling mounting
- | Available for 50 kg or 80 kg

- | Revolutionary rolling properties
- | With double-sided soft closing system
- | Sophisticated clamping technology
- | No glass processing required





# ARE YOU READY FOR BANANA SLIDE?

Yeaaaahhh - **banana slide**. At last an end to Premium, Master, and FCK100. Sliding is finally becoming cool. It's never been easier to mount and move a door. Banana Slide by **ONLEVEL** offers the suitable solution for almost any installation situation. Whether for ceiling or wall mounting, for 50 kg or 80 kg doors (150 kg available upon request) - Banana Slide:

- | Very simple damper installation
- | Clip-on cover, no further installation steps required from the rear
- | No glass processing required
- | Sophisticated clamping technology
- | Permanent connection between roller and carriage
- | Simple and smooth door adjustment from the front
- | Height adjustable release bolt as no wall is perfectly straight
- | Minimum wall distances, only a sheet of paper will fit in between
- | Minimum door width of 700 mm for soft closing system
- | One-part rattle-free bottom guide for all glass thicknesses

# banana slide 50

Fittings for sliding doors of up to 50 kg without fixed sidelight

## **Snap your finger and it's good.**

If your door dimensions are below 2000 x 1000 mm, then Banana Slide 50 is just right for you. Finally more time thanks to Banana Slide: Whether for ceiling or wall mounting – Banana Slide works as easy as can be. Banana Slide not only saves installation time but opens and closes 50 kg sliding doors that easily that you can stay completely cool and only need to snap your finger to make the door move.

Important: Clean window with Acetone before installing! Fix the window with a torque wrench. 4 N for the slide and 4 N for the endblock.



---

## **Essential Features**

- | Glass sliding doors made of tempered glass, glass thicknesses of 8 mm and 10 mm
- | Wooden sliding doors starting from 35 mm
- | Aluminium stainless steel look anodised, EV1 anodised or RAL 9005 matt black
- | Compact structure
- | Optionally available with soft closing system
- | Wall, ceiling, and glass mounting
- | Single or double doors
- | Clip-on cover

Standard available with  
soft closing system

Glass thicknesses of 8 mm  
and 10 mm

Fix with 4 Nm force

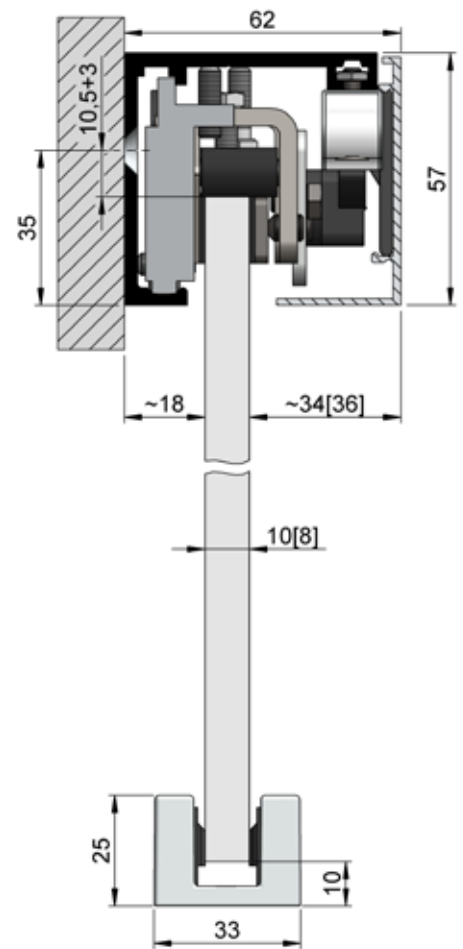
Up to 50 kg doors  
without fixed sidelight

# BANANA SLIDE 50 | WALL MOUNTING

## Banana Slide 50 Complete Set | Wall Mounting



- | Max. door weight 50 kg
- | Tempered glass type: 8, 10 mm
- | Profile dimensions without sidelight:  
width 62 mm / height 57 mm
- | Minimum wall distance: 18 mm
- | Height adjustment:  $\pm 3$  mm
- | Minimum door width for double-sided soft  
closing system: 700 mm
- | Storage lengths: 2000 mm, 2500 mm
- | Door dimensions are determined by the  
max. door weight and a width-to-height  
ratio of 1:2.5.
- | Incl. soft closing system
- | Sales unit: 1 piece



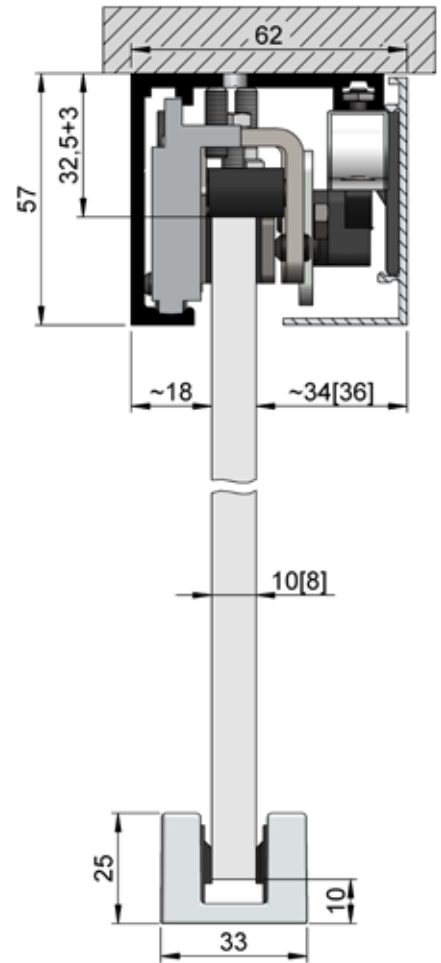
Model 1050	EV1 anodised	Stainless steel look	RAL 9005 matt black
length	Art. no.	Art. no.	Art. no.
2000 mm	25.1055.200.11	25.1055.200.12	25.1055.200.18-JB
2500 mm	25.1055.250.11	25.1055.250.12	25.1055.250.18-JB

# BANANA SLIDE 50 | CEILING MOUNTING

## Banana Slide 50 Complete Set | Ceiling Mounting



- | Max. door weight 50 kg
- | Tempered glass type: 8, 10 mm
- | Profile dimensions without sidelight:  
width 62 mm / height 57 mm
- | Height adjustment:  $\pm 3$  mm
- | Minimum door width for double-sided soft  
closing system: 700 mm
- | Storage lengths: 2000 mm, 2500 mm
- | Door dimensions are determined by the  
max. door weight and a width-to-height  
ratio of 1:2.5.
- | Incl. soft closing system
- | Sales unit: 1 piece



Model 1050	EV1 anodised	Stainless steel look	RAL 9005 matt black
length	Art. no.	Art. no.	Art. no.
2000 mm	25.1050.200.11	25.1050.200.12	25.1050.200.18-JB
2500 mm	25.1050.250.11	25.1050.250.12	25.1050.250.18-JB

# banana slide 80

Fittings for sliding doors of up to 80 kg without fixed sidelight

## Slide up your Life.

If you are rather a banana slider than a banana bender, you are spot on with Banana Slide for 80 kg doors. Despite its relatively high weight, Banana Slide can be moved particularly easily. It can be fixed to the ceiling or wall that easily that it saves you time and unnecessary frustration for a complicated and tiresome installation.

Important: Clean window with Acetone before installing! Fix the window with a torque wrench. 17 N for the slide and 4 N for the endblock.



---

## Essential Features

- | Glass sliding doors made of tempered glass, glass thicknesses of 8 mm and 10 mm
- | Glass sliding doors made of laminated safety glass, glass thicknesses of 8.76 mm and 10.76 mm
- | Wooden sliding doors starting from 35 mm
- | Aluminium stainless steel look anodised, EV1 anodised or RAL 9005 matt black
- | Compact structure
- | Optionally available with soft closing system
- | Wall, ceiling, and glass mounting
- | Single or double doors
- | Clip-on cover



Standard available with  
soft closing system

For tempered and laminated  
safety glass

Fix with 17 N force

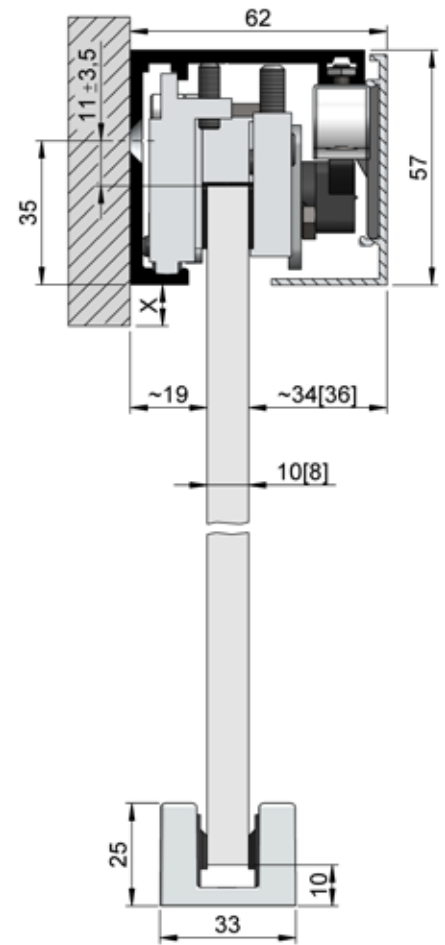
Up to 80 kg doors  
without fixed sidelight

# BANANA SLIDE 80 | WALL MOUNTING

## Banana Slide 80 Complete Set | Wall Mounting



- | Max. door weight 80 kg
- | Tempered glass type: 8, 10 mm
- | Laminated safety glass type (made of 2x tempered glass): 8.76 + 10.76 mm
- | Minimum wall distance 19 mm
- | Height adjustable  $\pm 3$  mm
- | Minimum door width for double-sided soft closing system: 700 mm
- | Door dimensions are determined by the max. door weight and a width-to-height ratio of 1:2.5.
- | Sales unit: 1 piece



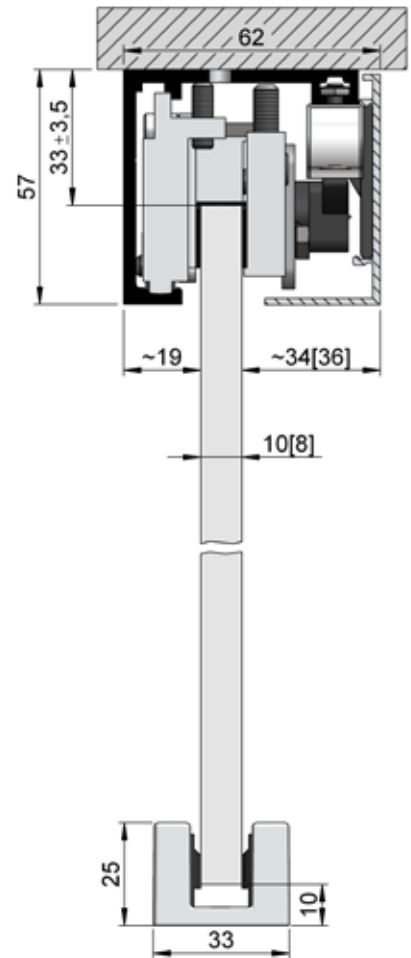
Model 1085	EV1 anodised	Stainless steel look	RAL 9005 matt black
length	Art. no.	Art. no.	Art. no.
2000 mm	25.1085.200.11	25.1085.200.12	25.1085.200.18-JB
2500 mm	25.1085.250.11	25.1085.250.12	25.1085.250.18-JB
3000 mm	25.1085.300.11	25.1085.300.12	-

# BANANA SLIDE 80 | CEILING MOUNTING

## Banana Slide 80 Complete Set | Ceiling Mounting



- | Max. door weight 80 kg
- | Tempered glass type: 8, 10 mm
- | Laminated safety glass type (made of 2x tempered glass): 8.76 + 10.76 mm
- | Height adjustable  $\pm 3$  mm
- | Minimum door width for double-sided soft closing system: 700 mm
- | Door dimensions are determined by the max. door weight and a width-to-height ratio of 1:2.5.
- | Sales unit: 1 piece



Model 1085	EV1 anodised	Stainless steel look	RAL 9005 matt black
length	Art. no.	Art. no.	Art. no.
2000 mm	25.1080.200.11	25.1080.200.12	25.1080.200.18-JB
2500 mm	25.1080.250.11	25.1080.250.12	25.1080.250.18-JB
3000 mm	25.1080.300.11	25.1080.300.12	-

# BANANA SLIDE | ACCESSORIES

---

## Banana Slide Wood Flange Pair



- | Door thicknesses from 35 mm
- | With bottom guide
- | Material: plain aluminium anodised
- | Sales unit: 1 piece

Model 9000	
Door weight	Art. no.
50 kg	25.9000.050.11
80 kg	25.9000.080.11

## Banana Slide Flush Handle



- | Ø 65 mm
- | Glass thickness: 8 - 10.76 mm
- | Sales unit: 1 piece

Model 2010	EV1 anodised	Stainless steel look	RAL 9005 matt black
	Art. no.	Art. no.	Art. no.
	25.2010.065.11	25.2010.065.12	25.2010.065.18-JB

## Banana Slide Door Handle Pair



- | Ø 20 mm
- | Length: 350 mm
- | Sales unit: 2 pieces

Model 2020	EV1 anodised	Stainless steel look	RAL 9005 matt black
	Art. no.	Art. no.	Art. no.
	25.2020.350.11	25.2020.350.12	25.2020.350.18-JB







# INTO THE SLIDE.

At **ONLEVEL**, we undergo continuous improvement and are constantly increasing our level: Sliding doors made of glass prove the suitable solution for a classy living environment within your own four walls. They do not only convey a more spacious impression to your home but make your eyes shine with their transparency. Glass sliding doors do not take up unnecessary space but emphasize the real dimension of your four walls as the reflection of glass surfaces makes spaces appear larger. The fashionable atmosphere of glass in interior spaces creates a harmonious and elegant effect.

Sliding doors made of satin-finished glass serve for visual protection yet make the room shine. In this way, you can enjoy your privacy amidst openness and brightness.

Sliding doors made of wood from **ONLEVEL** are the ideal substitute for doors in transit areas. Wooden sliding doors do not only form a functional unit between rooms, but they also have a positive influence on sound insulation properties when used together with the special accessories. Rooms can therefore be perfectly isolated from each other, both from a design-related and an acoustic point of view.

# ONLEVEL

8, Alexandria Court  
Ashton Commerce Park  
Ashton-under-Lyne  
Lancashire OL7 0QN  
United Kingdom

T +44 0161 804 9500  
F +44 0161 804 9505

[info@onlevel.com](mailto:info@onlevel.com)  
[www.onlevel.com](http://www.onlevel.com)