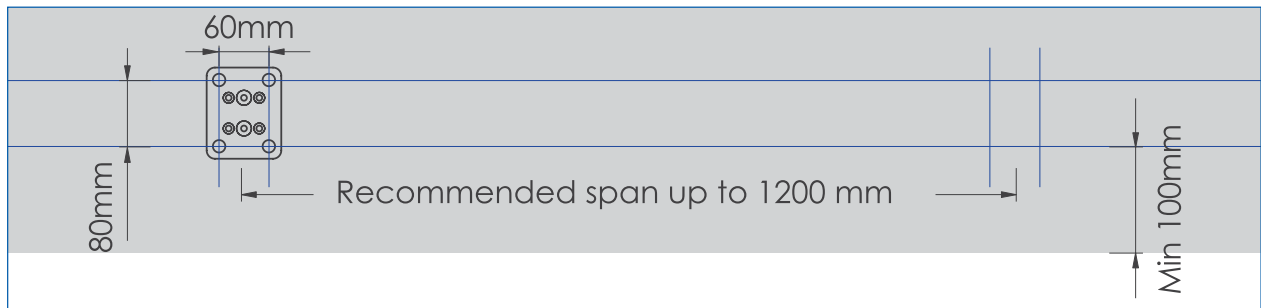


SMOOTH AR SQUARE SYSTEM

SYSTEM TOP FIXED WITH HANDRAIL INSTALLATION INSTRUCTIONS

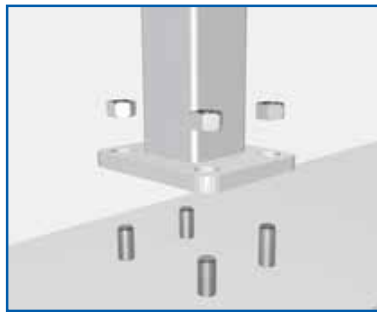
INSTALL POSTS



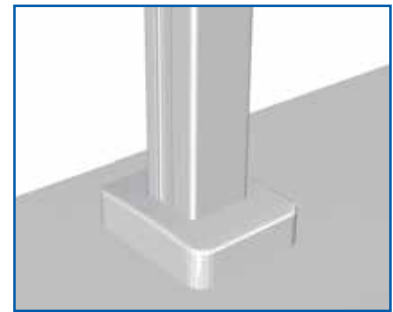
Posts should be a minimum of 100mm from the edge of the concrete with a recommended span up to 1200mm.



Drill holes & fit the rods.

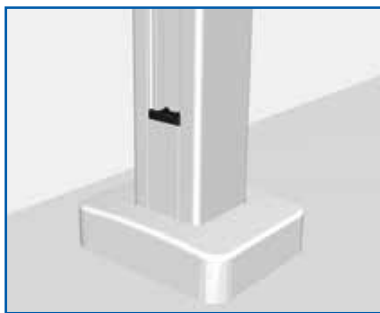


Tighten nuts to fit the posts.



Fit the covers.

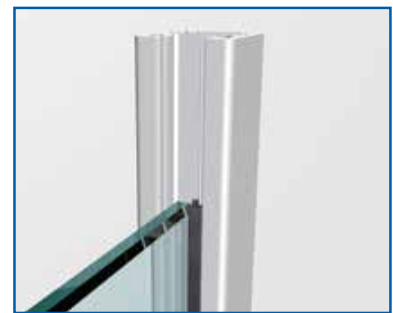
FITTING GLASS



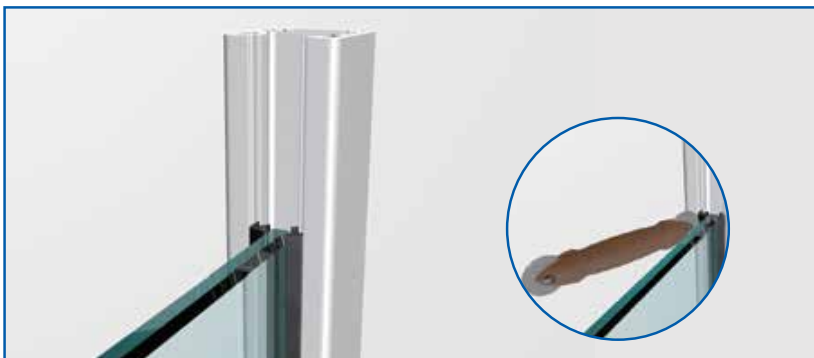
Fit the bottom infill & plastic packing block.



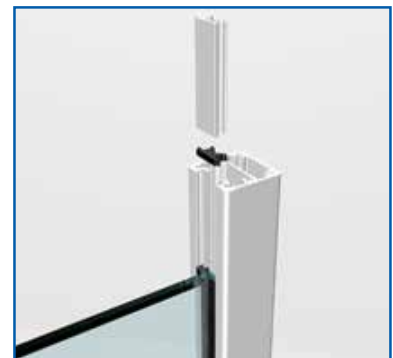
Fit back rubber in from the side.



Slide glass in from the top between posts.



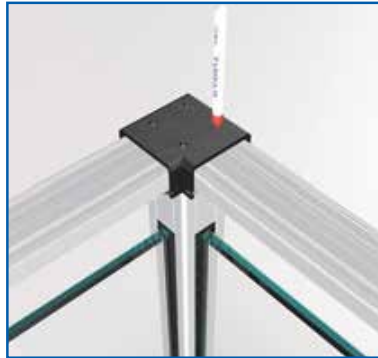
Fit glass retaining rubber (Roller assisted, spray soapy water as lubricant).



Fit the plastic packing block & infill on the top of glass.

SMOOTH AR SQUARE SYSTEM

FITTING HANDRAIL



Place under cap in position & using drilling jig mark holes for drilling & drill holes.



Place wall bracket in position & mark holes for drilling & drill holes.

Tighten the screws to fit under cap to posts & fit wall bracket to the wall.

Slide handrail on & push down to clip into place.

