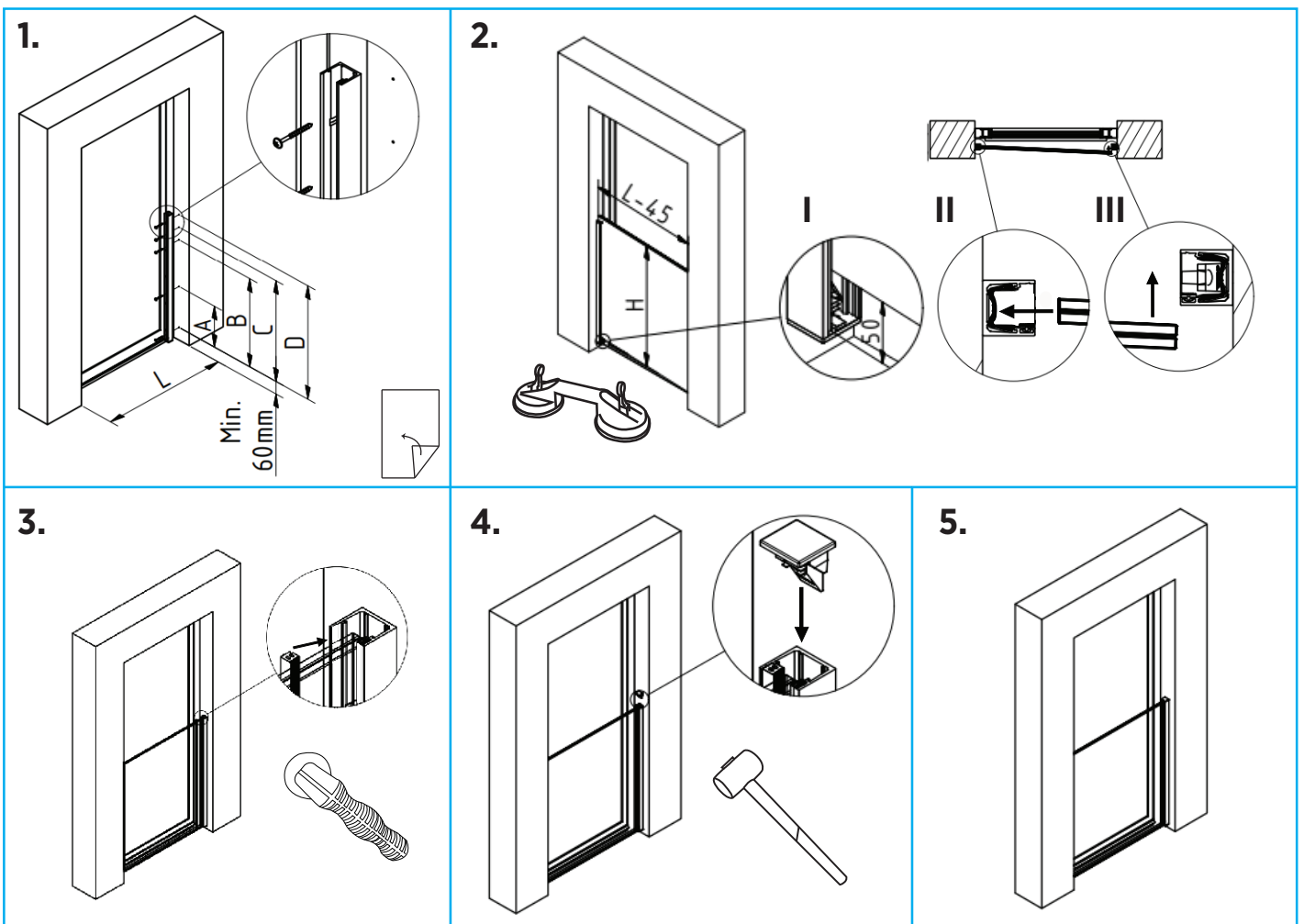
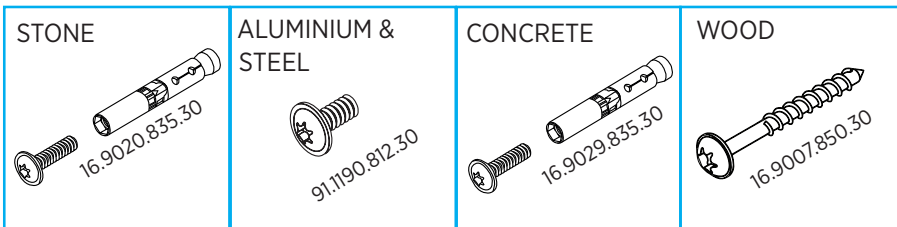
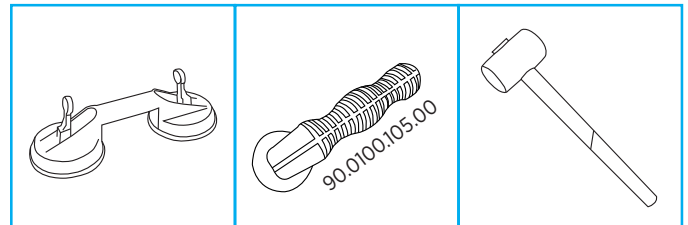
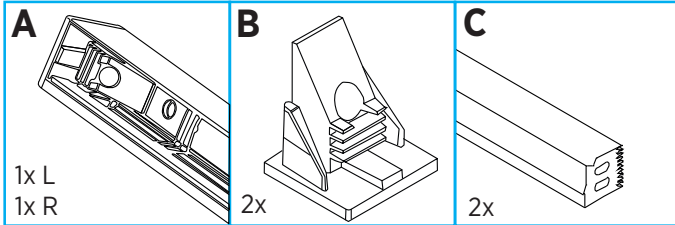


# SKYFORCE SIDE

## INSTRUCTION SHEET

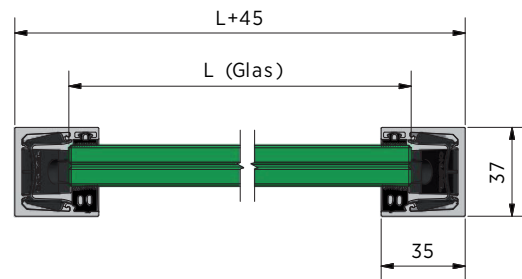
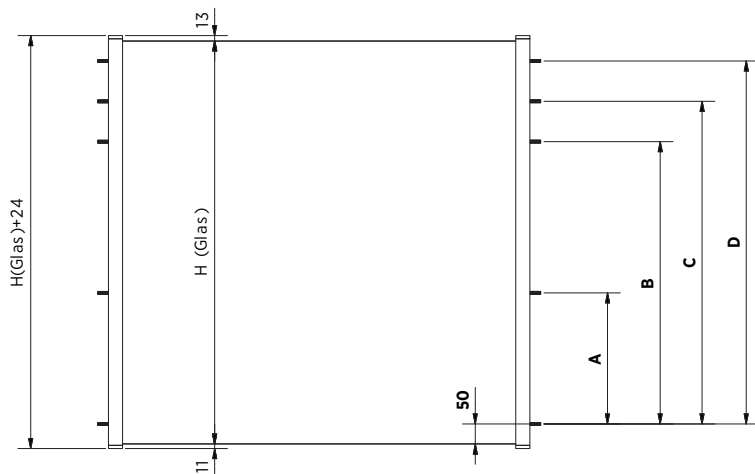
# ONLEVEL

## MATERIALS



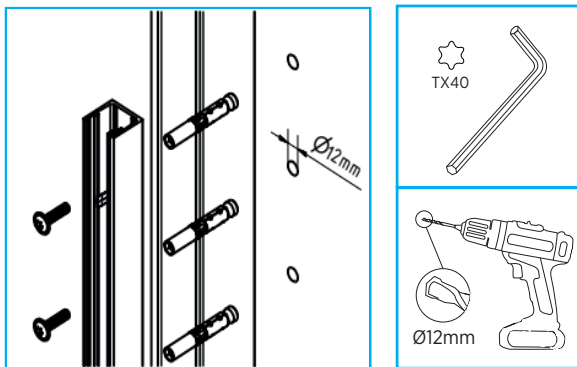
# SKYFORCE SIDE

## INSTRUCTION SHEET



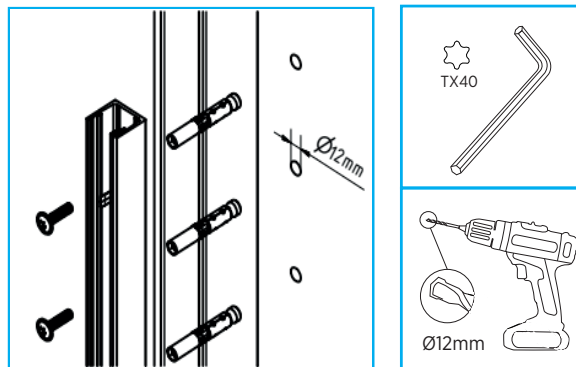
Height (H)	500 mm	700 mm	900 mm	1000 mm	1100 mm	1200 mm
A	-	-	250	325	375	425
B	200	400	600	700	800	900
C	300	500	700	800	900	1000
D	400	600	800	900	1000	1100

### STONE

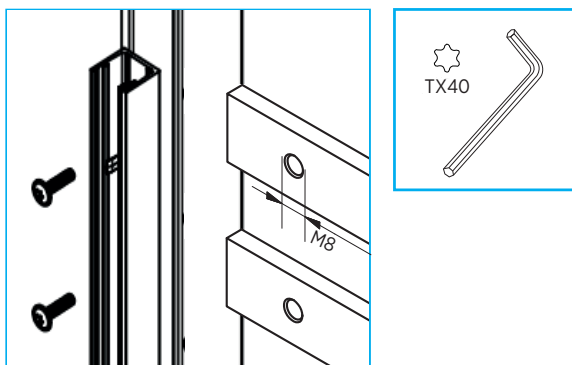


\*Anchor suitable for natural stone with dense structure

### CONCRETE



### ALUMINIUM & STEEL



### WOOD

