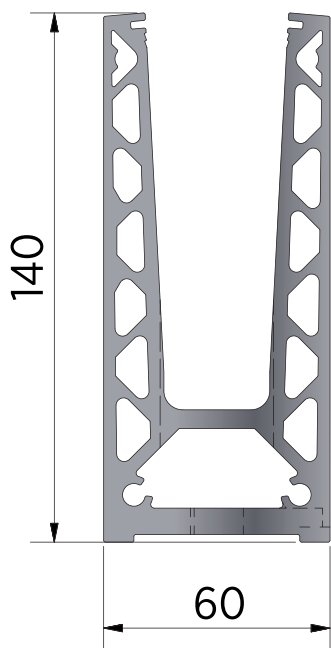


TL6020

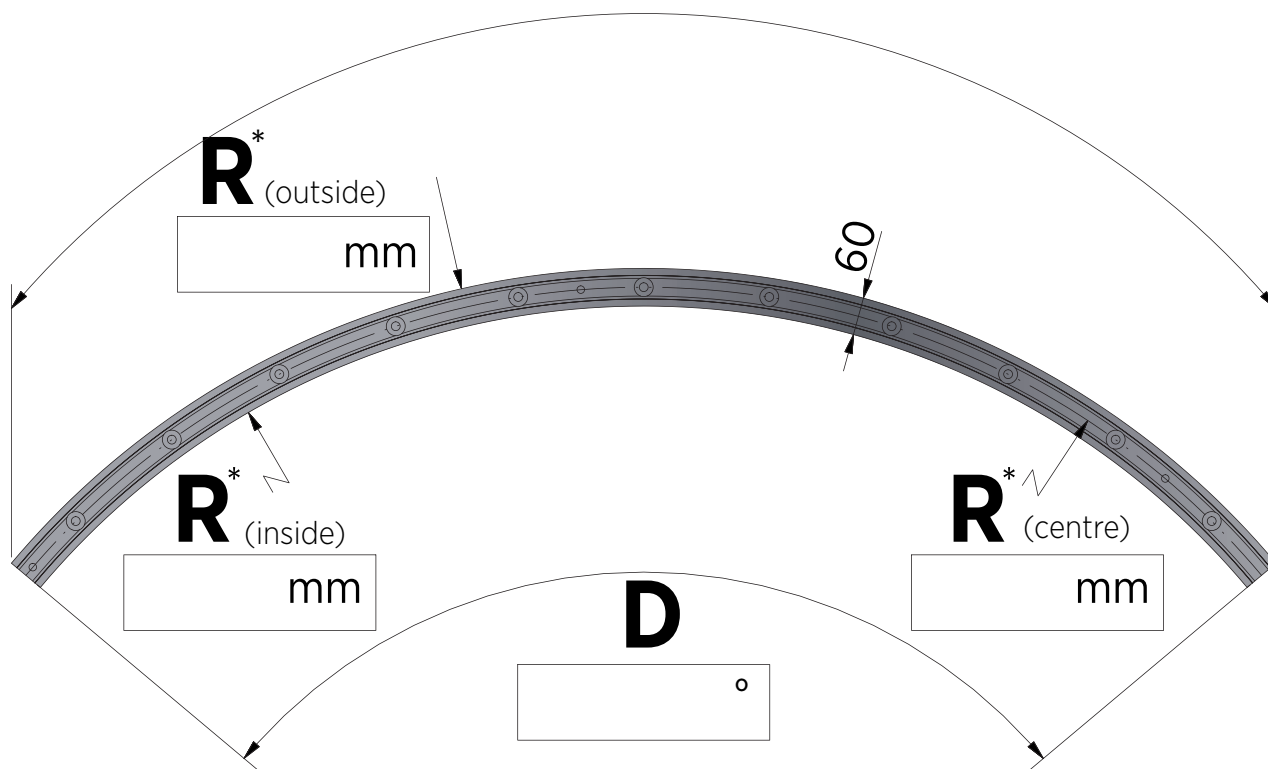


SURFACE

Nr.	DESCRIPTION	RAL
<input type="checkbox"/> 10	mill finish	
<input type="checkbox"/> 13	RAL gloss	
<input type="checkbox"/> 16	RAL matt structure	
<input type="checkbox"/> 18	RAL matt	

L (max. 5000 mm)

mm



***R** min. 1500 mm, ± 20 mm tolerance