



Model 5010

## 0.74KN TOP MOUNT

- | Quick and simple mounting
- | Only 3 fixing points required on 2500 mm
- | For glass thicknesses between 12 - 21,52 mm
- | Drainage holes
- | Suitable for roof installation
- | Private and commercial areas

# TL-5010

0.74 kN Top Mount

## The One and Only.

The TL-5010 M-profile is the one and only solution for applications on insulated flat roofs and for clamp mounted installation on hollow facades. The mounting post can be adjusted individually. The optimum stiffeners in the profile enable a length of 2.5 metres with only 3 fixing points. This is extremely efficient and cost-saving, especially when it comes to sealing roofs and facades.

As a matter of fact, the profile is suited both for interior and exterior applications. It can withstand a linear load of more 0.74 kN and is appropriate for glass thicknesses between 12 mm and 21.52 mm.

## Essential Features

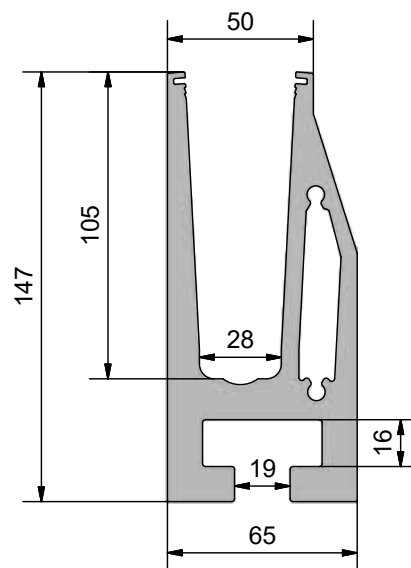
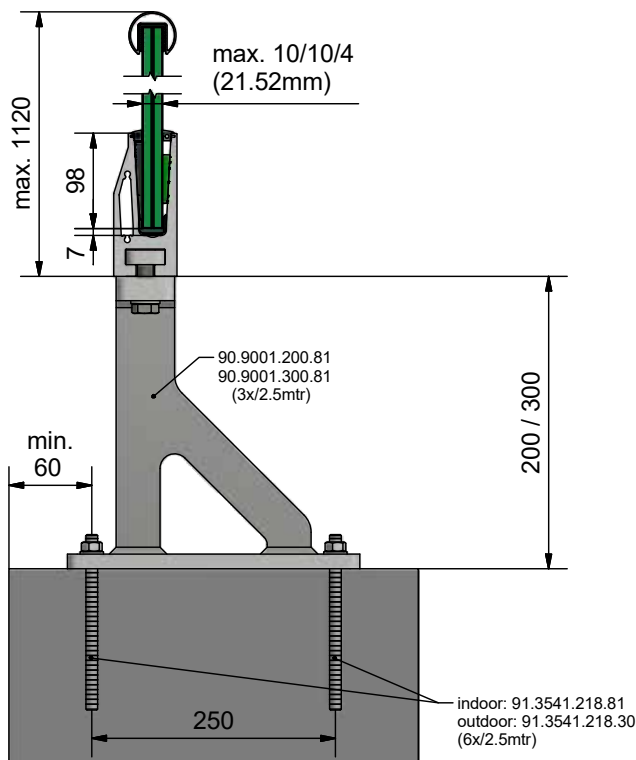
- | Only 3 fixing points required on 2500 mm
- | ONLEVEL FLEXFIT Glass Adjustment Tool
- | Extension pin holes
- | Drainage holes
- | Suitable for roof installation
- | Integrated multifunctional sophisticated chamber
- | For glass thicknesses between 12 - 21.52 mm

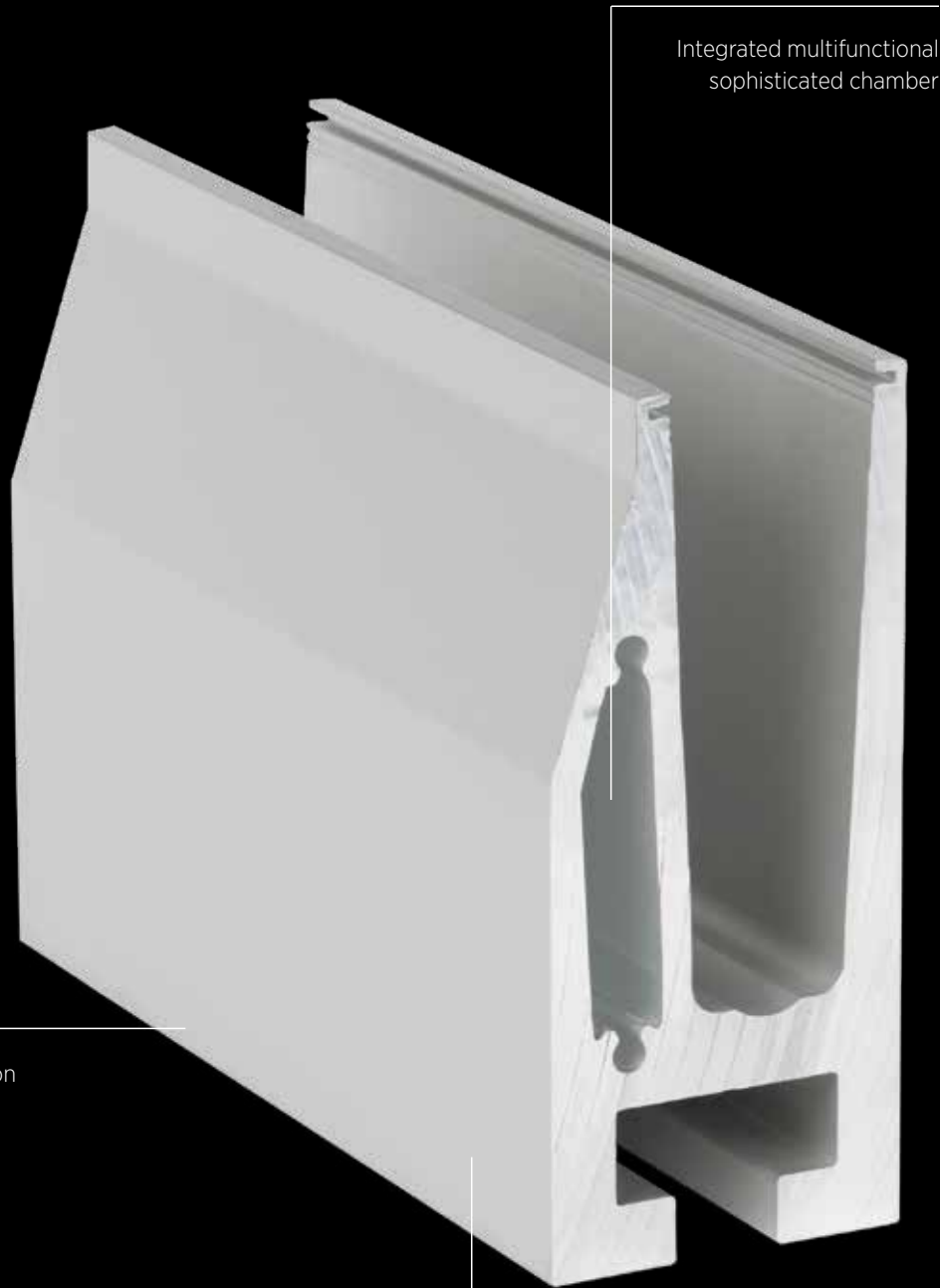


TESTED  
according to  
BS6180

CE EN1090-1  
EN1090-3  
EXC 3

riba  
product  
selector





Integrated multifunctional sophisticated chamber

Ideally suited for use on insulated flat roofs

Only 3 fixing points required on 2500 mm



Top mount



# TL-5010 | 0.74 KN TOP MOUNT

## Glass profile



| Height: 147 mm  
| Width 65 mm  
| Sales unit: 1 piece

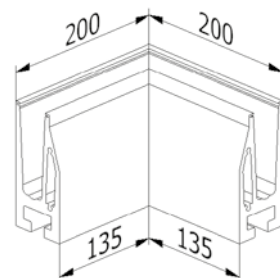
Model 5010	Plain aluminium
Length	Art. no.
5000	10.5010.005.11

## Inside corner 90°



| Side length inside: 135 mm  
| Exterior side length 200 mm  
| Sales unit: 1 piece

Model 5010	Plain aluminium
	Art. no.
	10.5010.300.11

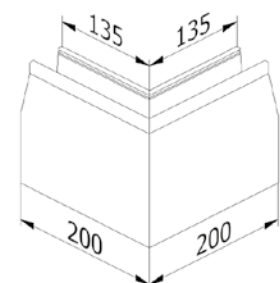


## Outside corner 90°



| Side length inside: 135 mm  
| Exterior side length 200 mm  
| Sales unit: 1 piece

Model 5010	Plain aluminium
	Art. no.
	10.5010.350.11

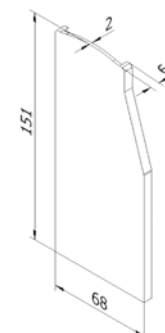


## End cap, left



| For use on the left  
| Sales unit: 1 piece

Model 5010	Plain aluminium
Application	Art. no.
left	10.5010.400.11

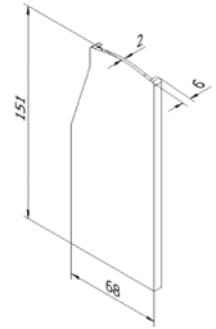


# TL-5010 | 0.74 KN TOP MOUNT

## End cap, right



| For use on the right  
| Sales unit: 1 piece

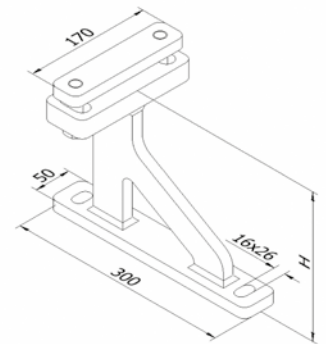


<b>Model 5010</b>	<b>Plain aluminium</b>
Application	Art. no.
right	10.5010.450.11

## Posts



| Length: 300 mm  
| Width 170 mm  
| Required number per 2500 mm: 3 pieces  
| Sales unit: 2 pieces

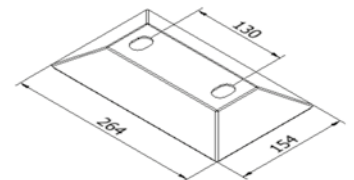


<b>Model 9002</b>	<b>zinc-plated steel (inside)</b>
Height:	Art. no.
200 mm	90.9002.200.81
300 mm	90.9002.300.81

## Drainage cover for post



| Length: 264 mm  
| Width 154 mm  
| Required number per 2500 mm: 3 pieces  
| Sales unit: 4 pieces

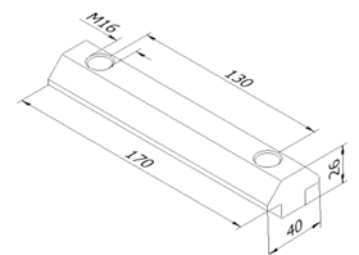


<b>Model 9003</b>	<b>zinc-plated steel (inside)</b>
	Art. no.
	90.9003.170.81

## Mounting block.



| Length: 170 mm  
| Height: 15 mm  
| Width 40 mm  
| M16  
| Required number per 2500 mm: 3 pieces  
| Sales unit: 2 pieces



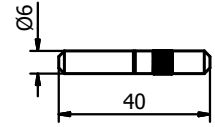
<b>Model 7004</b>	<b>zinc-plated steel (inside)</b>
	Art. no.
	90.7004.170.81

# TL-5010 | 0.74 KN TOP MOUNT

## Extension pin



- | Length: 40 mm
- | Diameter: Ø 6 mm
- | Sales unit: 8 pieces

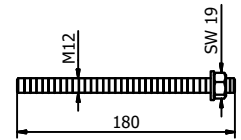


Model 7001	AISI 316 (inside & outside)
Art. no.	
90.7001.640.31	

## Fischer fixing anchor RG M12x180



- | Finish interior application: zinc-plated steel (inside)
- | Finish exterior application: V4A (exterior)
- | Required number per 2500 mm: 6 pieces
- | M12
- | Sales unit: 10 pieces

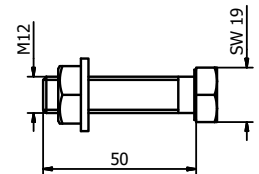


Model 3541	zinc-plated steel (inside)	AISI 316 (exterior)
Art. no.		Art. no.
91.3541.218.81		91.3541.218.30

## Fixing anchor steel



- | Finish interior application: zinc-plated steel (inside)
- | Finish exterior application: V4A (exterior)
- | Required number per 2500 mm: 6 pieces
- | M12 x 50 mm
- | Sales unit: 6 pieces



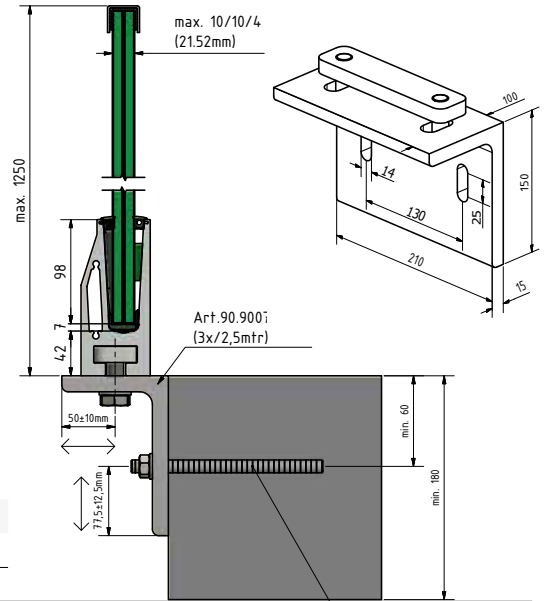
Model 5010	zinc-plated steel (inside)	AISI 316 (exterior)
Art. no.		Art. no.
91.5010.050.81		91.5010.050.30

# TL-5010 | 0.74 KN TOP MOUNT

## Application - lateral mounting



- | Dimensions: L 100 x 150 x 15 mm
- | Length 210 mm
- | Sales unit: 2 pieces

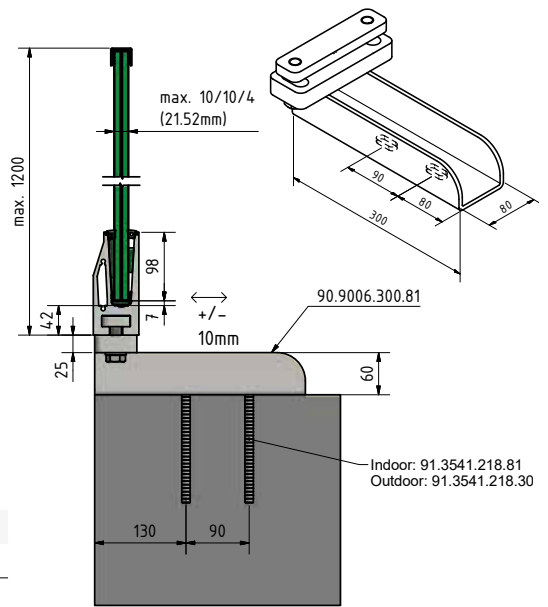


<b>Model 9005</b>	<b>zinc-plated steel (inside)</b>
Art. no.	
90.9005.075.81	

## Application - U substructure

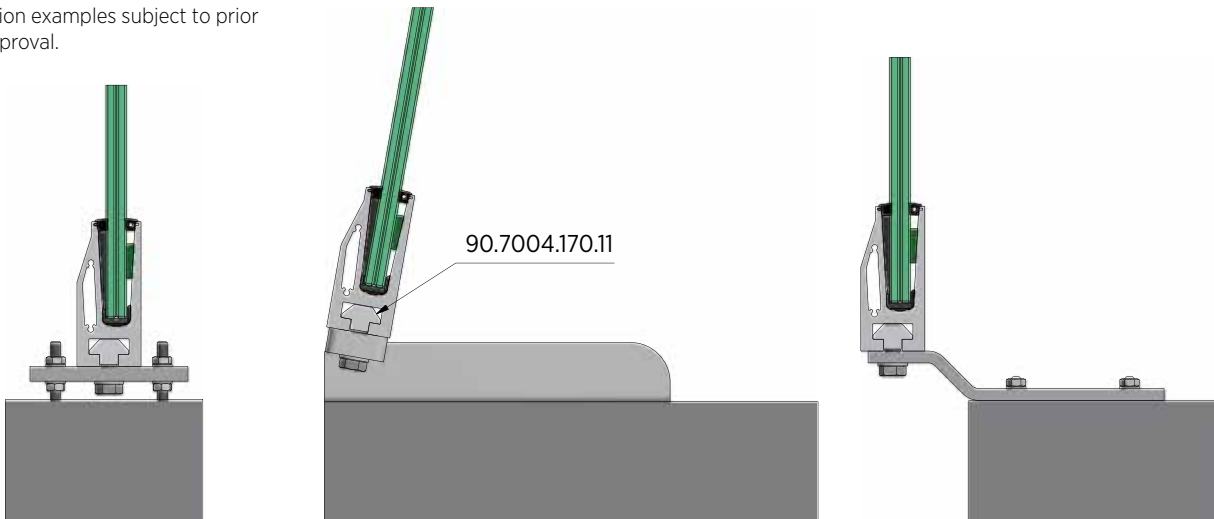


- | Dimensions: U 80 x 60 x 6 mm
- | Length: 300 mm
- | Sales unit: 2 pieces



<b>Model 9005</b>	<b>zinc-plated steel (inside)</b>
Art. no.	
90.9006.300.81	

Application examples subject to prior static approval.



# TL-5010 | 0.74 KN TOP MOUNT

## FLEXFIT 1.0 KN



- | Fine adjustment of glass panes
- | For glass thicknesses between 12 - 21.52 mm
- | Adjustment of up to 34 mm in relation to the vertical axis
- | Pay attention to the right glass thickness!

Length		2500 mm	5000 mm	25 mtr
Glass thickness	Wedge colour	Art. no.	Art. no.	Art. no.
12 mm	black	90.0502.112.00	90.0505.112.00	90.0525.112.00
6/6/2 (12.76 mm)	red	90.0502.113.00	90.0505.113.00	90.0525.113.00
6/6/4 (13.52 mm)	grey	90.0502.114.00	90.0505.114.00	90.0525.114.00
15 mm	yellow	90.0502.115.00	90.0505.115.00	90.0525.115.00
<b>8/8/2 (16.76 mm)</b>	red	90.0502.117.00	90.0505.117.00	90.0525.117.00
<b>8/8/4 (17.52 mm)</b>	green	90.0502.118.00	90.0505.118.00	90.0525.118.00
19 mm	blue	90.0502.119.00	90.0505.119.00	90.0525.119.00
<b>10/10/2 (20.76 mm)</b>	red	90.0502.121.00	90.0505.121.00	90.0525.121.00
<b>10/10/4 (21.52 mm)</b>	green	90.0502.122.00	90.0505.122.00	90.0525.122.00

# ONLEVEL

Budberger Straße 5  
46446 Emmerich am Rhein  
Germany

+49 (0)2822 97514-0

info@onlevel.com  
www.onlevel.com